

SAMSUNG

# The Best Night Monitoring Solution



High Performance Thermal night Vision Camera

## SCB-9050/9051

The SCB-9050/9051 are cost-effective and stable night vision cameras equipped with a microbolometer thermal imaging sensor. Embedded with advanced infrared imaging technology, it is suitable for short- and medium-range monitoring purposes and offers astoundingly sharp and finely detailed images with its high performance sensor and wide field of view. It is light, yet rugged, making it an ideal solution for 24/7 powerful monitoring.

- Outstanding 360m/1,000m detection range with no lighting
- Intricate imaging with high-powered infrared sensor
- 0.08°C excellent temperature resolving power
- IP66 approved dust/waterproof, customizable OSD
- Light weight and effective cost

# High Performance Thermal night Vision Camera

## SCB-9050/9051

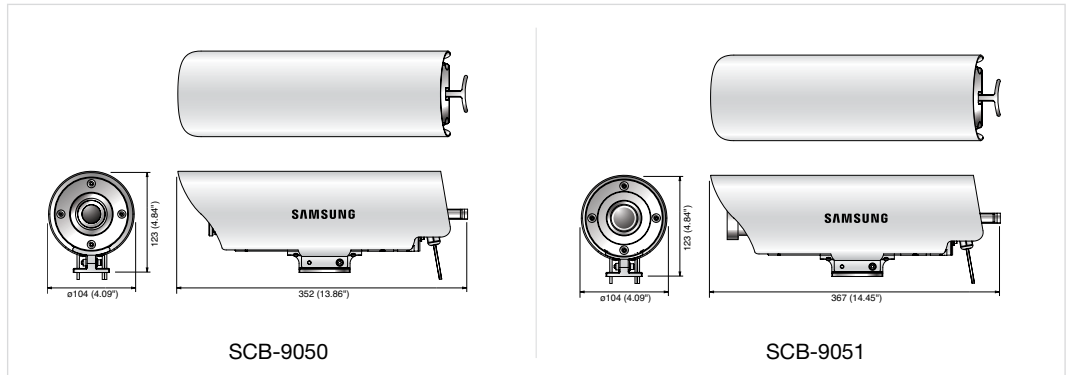


### Specifications

	SCB-9050/9051N	SCB-9050/9051P
<b>ELECTRICAL</b>		
Input Voltage	24VAC	
Power Consumption	Max. 10.5W (22W when heater on)	
<b>VIDEO</b>		
Sensor Type	320(H) x 240(H) Uncooled VOX microbolometer	
Sensor Pitch	23.5μm x 23.5μm	
Measured Wavelength Range	8 ~ 14um	
Video Ratio ( Sensor )	30fps	25fps
Video Output	VBS : 1.0VP-P, 75 , composite	
<b>LENS</b>		
Focal Length	F1.4, f=50mm	
Focal Range	SCB-9051 : 27m ~ ° , Pan focus, SCB-9050 : 0.5m ~ ° , Pan focus	
Viewing Angle (HxV)	SCB-9051 : 9.2° x 6.9°, SCB-9050 : 30° x 22.8°	
IFOV (Instaneous Field of View)	SCB-9051 : 0.47mrad, SCB-9050 : 1.68mrad	
<b>OPERATIONAL</b>		
OSD	English, Japanese, Korean	
Sharpness	6 levels : Off ~ 5	
Brightness / Contrast	11 levels / (Auto, Manual : 10 levels)	
Digital Zoom	2x ~ 4x	
Noise Reduction Function	3D-DNR (4step : Low / Midium / High / Off)	
Polarity Function	B/W (Black & White) / W/B (White & Black)	
Communication	RS-485	
Protocol	Samsung-T, Pelco-D	
<b>ENVIRONMENTAL</b>		
Detecting temperature	Auto / Manual (2step) Low (-40°C ~ 150°C), High (0°C ~ 540°C)	
Operating Temperature / Humidity	-30°C ~ +55°C / Less than 90% RH	
<b>MECHANICAL</b>		
Dimension (WxHxD)	SCB-9051 : ø104(W) x 123(H) x 367(D)mm (4.09" x 4.84" x 14.45") SCB-9050 : ø104(W) x 123(H) x 352(D)mm (4.09" x 4.84" x 13.86")	
Weight	Approx. 2.2Kg (4.85 lb) (Including cables)	
Ingress Protection	IP66	
Certifications	FCC (Class A), UL/cUL listed	

### Dimensions

Unit : mm (inch)



The Eco mark represents Samsung Techwin's will to create environment-friendly products, and indicates that the product satisfies the EU RoHS Directive.

Design and specifications are subject to change without notice.

■ DISTRIBUTED BY



SAMSUNG SECURITY | Toll Free: 888-595-2288 | Fax: 972-245-7333  
This product specifications and manual are also available in pdf format at [www.samsung-security.com](http://www.samsung-security.com)  
The information is subject to change without notice - v6.2.10